

CUSTOMER

CAN ART STD.

DIE No.

EH05959

REV. No.

1

DESCRIPTION

2" x 2" x .188" THK. SQ. TUBE W/ R0.250 RAD INSIDE/OUTSIDE

CUSTOMER PART No.

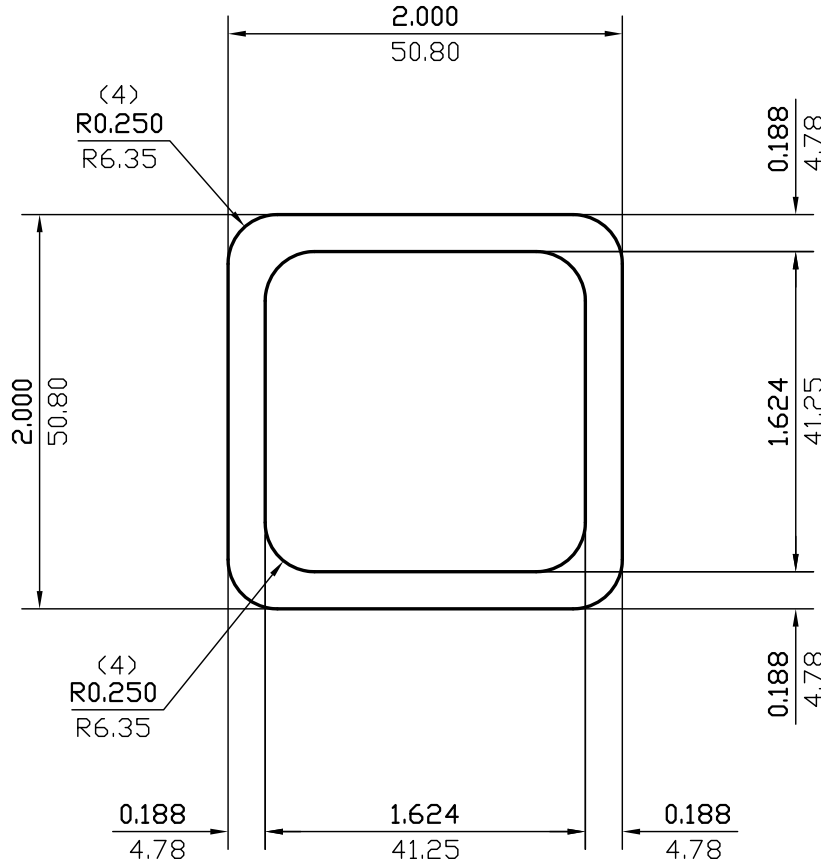
QUOTE No.

10-0128-1

PROPOSAL No.

H-22294

NOTE: BREAK ALL CORNERS WITH 0.015" (.38 MM) RADIUS UNLESS OTHERWISE NOTED. STANDARD TOLERANCES TO APPLY UNLESS OTHERWISE SPECIFIED.



WALL THICKNESS 0.188(4.78) EXCEPT AS SHOWN

DATE	REV	DESCRIPTION	BY					
03/13/23	1	REMOVED ALLOY	JASON					
EST.AREA	1.363	IN. ²	EST.AREA	879.117	MM. ²			
EST.WT.	1.608	LBS/FT.	EST.WT.	2.393	KG/M.			
EST.PER.	13.638	IN.	EST.PER.	346.395	MM.			
OUT PER.	7.571	IN.	OUT PER.	192.3	MM.			
C.C.D.	2.621	IN.	C.C.D.	66.582	MM.			
FINISH	M/F		ALLOY					
CKD BY	FACTOR	8	SCALE	1:1	DWN BY	C.P.	DATE	02/16/2010

CAN ART

ALUMINUM EXTRUSION INC.

85 PARKSHORE DRIVE
BRAMPTON, ONT L6T 5M1
TEL. NO. (905) 791-1464
FAX NO. (905) 791-9151
WEB: www.canart.com

THIS DRAWING IS NOT NECESSARILY A COPY OF YOUR ORIGINAL. PLEASE APPROVE DIMENSIONS AND TOLERANCES INDICATED. CAN ART ASSUMES NO RESPONSIBILITY EITHER TECHNICAL OR LEGAL FOR HAVING THIS SHAPE MADE. THE CUSTOMER AGREES TO FULLY PROTECT CAN ART ALUMINUM FROM CLAIMS OF OTHERS RESULTING FROM THIS SHAPE.

SIGNED: _____ DATE: _____